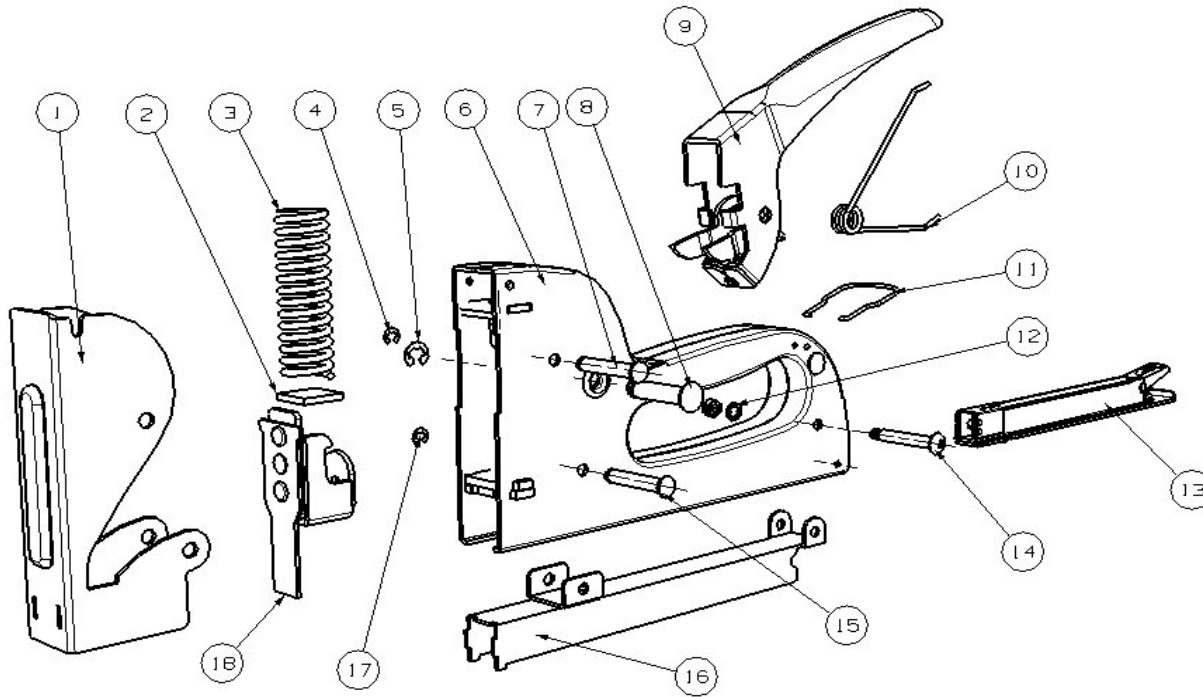


## CT-H7000P PARTS SCHEMATIC



**RAPTOR**

Utility Composites, Inc.  
 Round Rock, TX 78664  
 512-255-8525  
[www.raptornails.com](http://www.raptornails.com)

CHART NO.	PART NO.	DESCRIPTION OF GOODS
1	CT-H-01	FRONT COVER-CHROME
2	CT-H-02	PLUNGER BUMPER
3	CT-H-03	PLUNGER SPRING 2.4Ø
4	CT-H-04	E. RING
5	CT-H-05	E. RING
6	CT-H-06	BODY ASSEMBLY-CHROME
7	CT-H-07	GROOVED PIN
8	CT-H-08	GROOVED PIN
9	CT-H-09	HANDLE ASSEMBLY-CHROME
10	CT-H-10	TORSION SPRING
11	CT-H-11	HANDLE CATCH
12	CT-H-12	E.O.W. & NUT
13	CT-H-13	MAGAZINE FEEDER ASSEMBLY-CHROME
14	CT-H-14	BOLT
15	CT-H-15	GROOVED PIN
16	CT-H-16	OUTER RAIL-CHROME
17	CT-H-17	E RING
18	CT-H-18	DRIVER BLADE ASSEMBLY